

Technical Bulletin

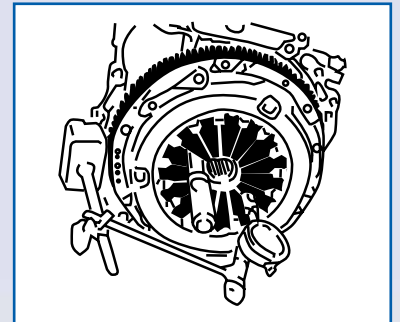
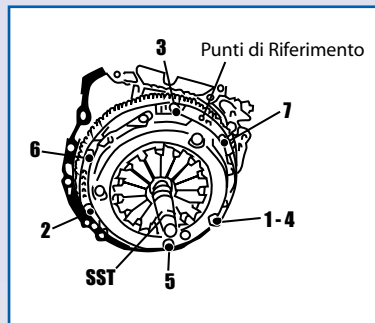
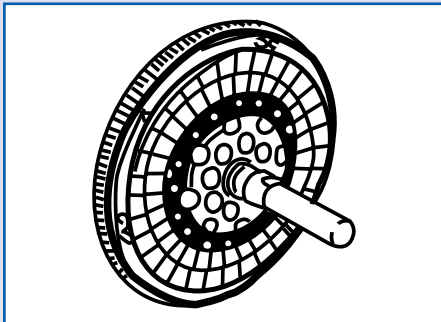
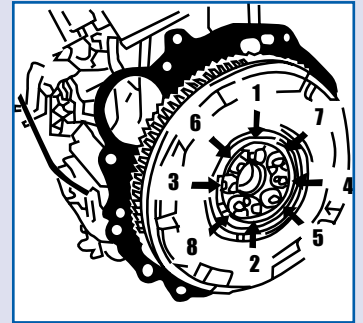
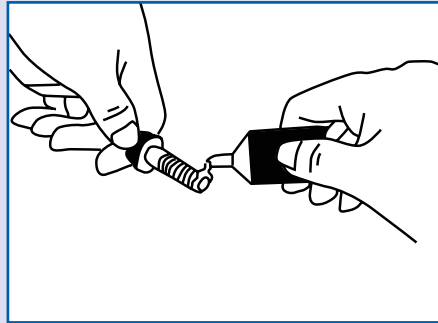
Technical Helpline: +44(0)1622 833004 Fax: +44(0)1622 834004

ADT330206 Fitting instructions

Publication Date 29/3/2011

1. make sure that the engine is well placed before uninstal the transmission. Install the flywheel using an appropriate "glue" and tight bolts using the right order.

Tighten at 88Nm.

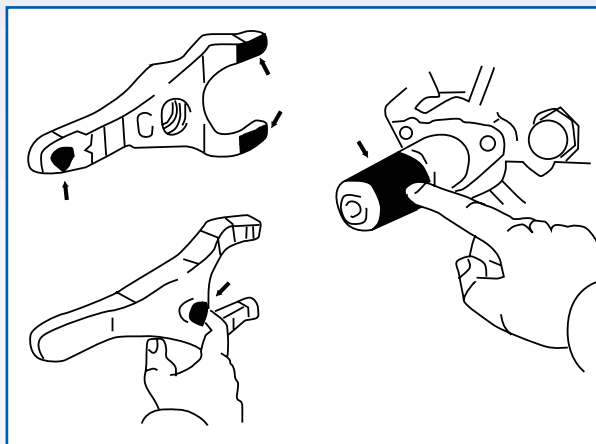


2. Install clutch disc and clutch cover on the flywheel with appropriate tools. Be careful to mount in the right direction the clutch disc.

Tight bolts ensuring there are done in the right order.

Tighten at 19Nm. Check the alignment of the spring

3. Install the bearing being careful to use some grease as shown in the image.
4. Install the transmission gear on the engine
5. Regulate the clutch pedal



Disclaimer : Any technical tips are produced in good faith. Blue Print, always recommend that vehicle maintenance and diagnostics are only carried out by suitably experienced people using appropriate tools in a safe manner within a workshop environment. Blue Print, and their customers cannot be held responsible for the correctness of, or misinterpretation of the above technical tips. Images shown are for illustrative purposes only and may not be representative of the products or vehicles described.