

Technical Bulletin

Technical Helpline: +44(0)1622 833004 Fax: +44(0)1622 834004

ADM59860 - Expansion Tank

Applications: Mazda RX8

Date Issued: 09/2011

BLUE
PRINT

Solutions

Mazda RX8 coolant light on when level is correct?

The fault:

The coolant level sensor float is a common failing part on the Mazda RX8.

This is caused by surface deterioration of the sensor float which allows it to absorb coolant, causing the float to sink and give a false reading.

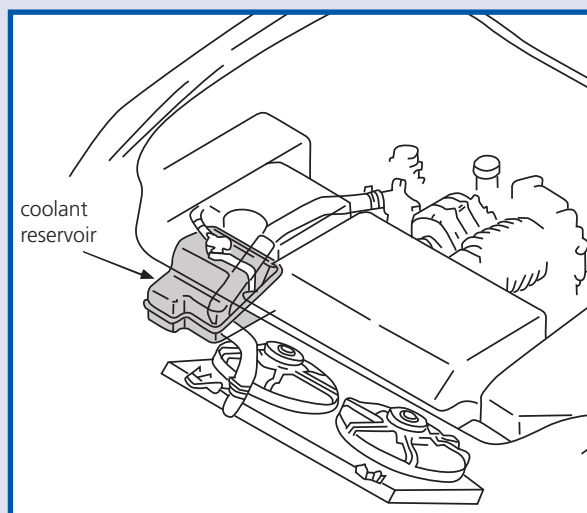
The Symptoms:

The coolant level light on the dashboard either stays on or flashes indicating a low coolant level, even when the coolant level is actually correct.

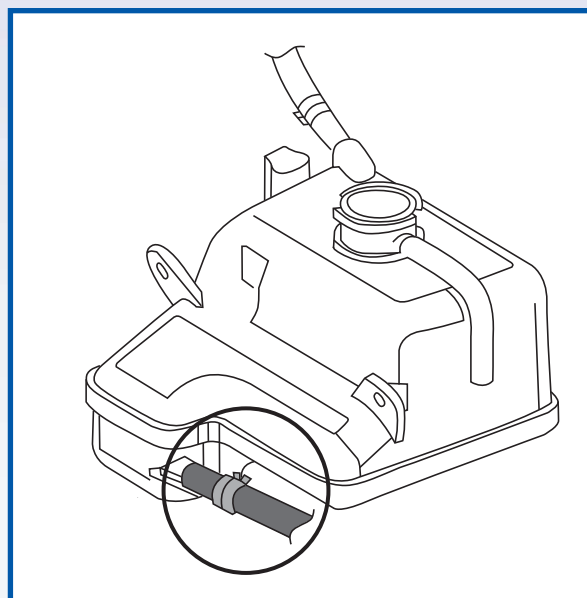
The Solution:

The sensor and float are not available separately, meaning the only permanent repair is to replace the complete Expansion Tank assembly.

Blue Print now supplies an OEM quality **Expansion Tank** with a revised specification coolant level sensor float – **ADM59860** – which is covered by Blue Print's comprehensive Three Year Warranty.



Note: Care is required when removing the coolant hose shown in the picture below, in order to avoid damage to the outlet on the radiator.



Pictures shown are for illustrative purposes only and may not be representative of actual products or vehicles. The Blue Print brand is not endorsed by or connected with any vehicle manufacturer stated.

Disclaimer: Any technical tips are produced in good faith. Blue Print always recommends that vehicle maintenance and diagnostics are only carried out by suitably experienced people using appropriate tools in a safe manner within a workshop environment. Blue Print and its customers cannot be held responsible for the correctness of, or misinterpretation of the above technical tips.



www.blue-print.com