

# Technical Bulletin

## BFS101S & BFS66S

### Why they are NOT interchangeable

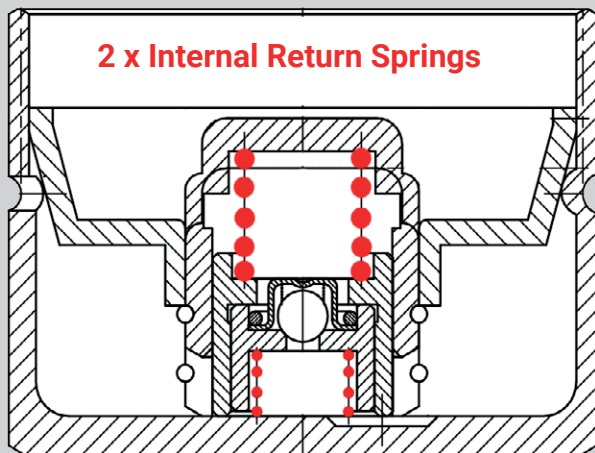
We have been made aware that some customers have been **using BFS66S in place of BFS101S** due to a **perceived cost saving**. While both hydraulics are **dimensionally similar**, it is the **internal construction** that differentiates the two parts.

**BFS66S** – This is made of steel and has **one return spring** internally.

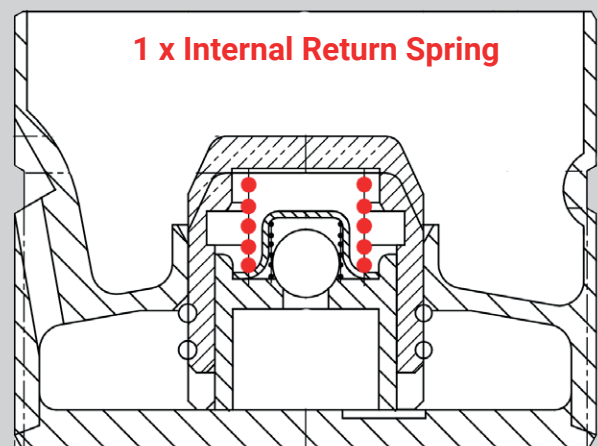
**BFS101S** – This is made of steel but with a **nitride treatment for extra surface hardness**, giving more wear resistance. It has **two return springs** internally for a smoother opening and closing operation.

It is very important to **supply the correct part number** for the correct application as there is a difference in their operation. Fitting BFS66 to an application that needs BFS101 may affect the efficiency of the valve opening and closing, but more importantly **it will void any warranty**.

### BFS101S



### BFS66S



Best Availability. Best Value.  
Best Quality. Best Service.

LEAF9352



+44 (0) 1525 351800



[faiauto.com](http://faiauto.com)