

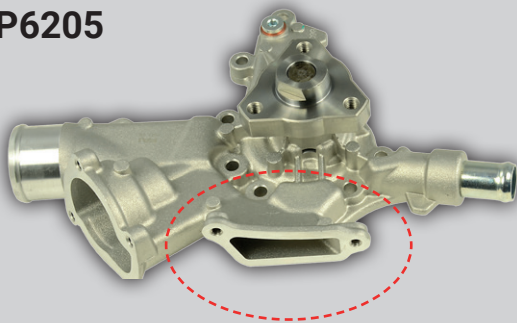
Technical Bulletin

Opel/Vauxhall 1.0/1.2/1.4 Engines

Choosing the correct Water Pump.

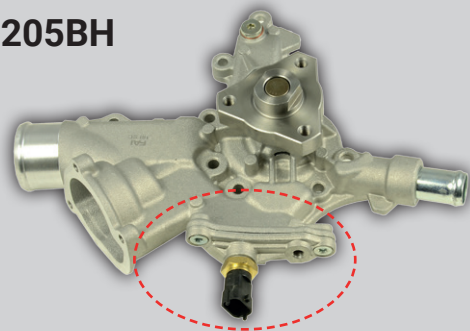
There are **4 different Water Pump variants** for many popular Opel/Vauxhall vehicles including many Corsa models. Choosing the correct pump is vital so the **visual guide below is designed to assist with the identification** of the correct pump for the job. **Click the squares below for full application.**

WP6205



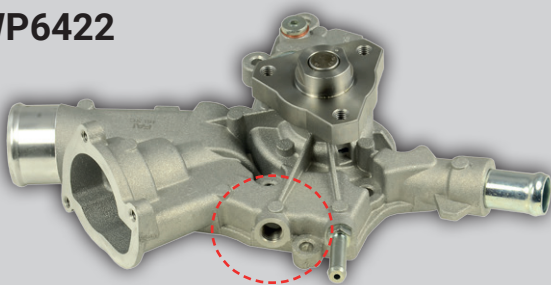
- Without housing and sensor.
- Ideal if existing housing, sensor and bolts are in tact.

WP6205BH



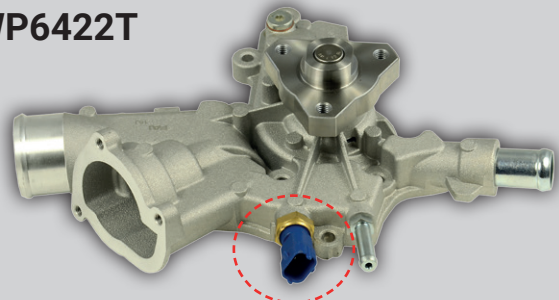
- With housing and sensor.
- Ideal if existing housing, sensor and bolts are damaged, corroded or faulty.
- Less labour involved with fitting.
- Considerable saving against OE sensor.

WP6422



- Without sensor.
- Ideal if existing sensor is easily removeable without causing damage.

WP6422T



- With sensor.
- Ideal if existing sensor is damaged, corroded or faulty.
- Less labour involved with fitting.
- Considerable saving against OE sensor.



**Best Availability. Best Value.
Best Quality. Best Service.**

LEAF9314

