

Technical Bulletin

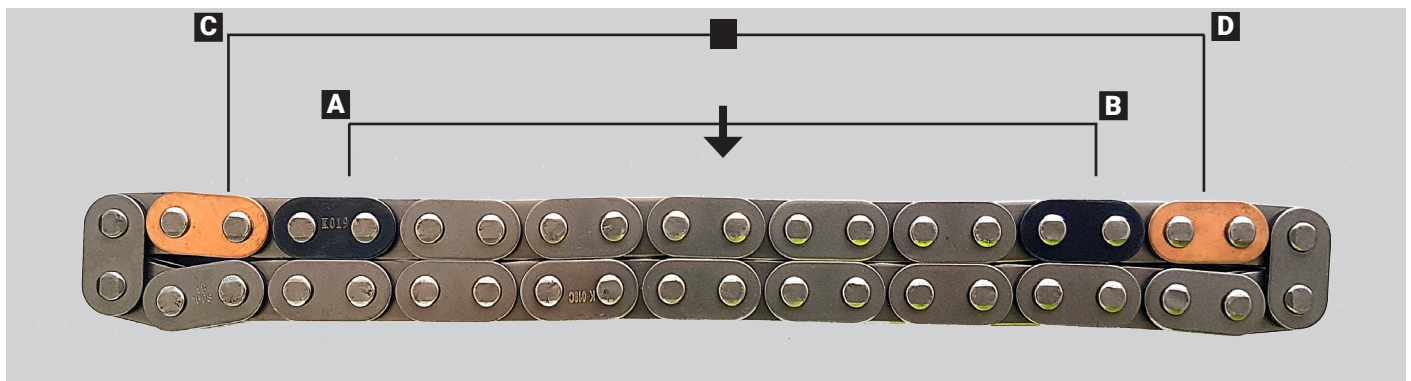
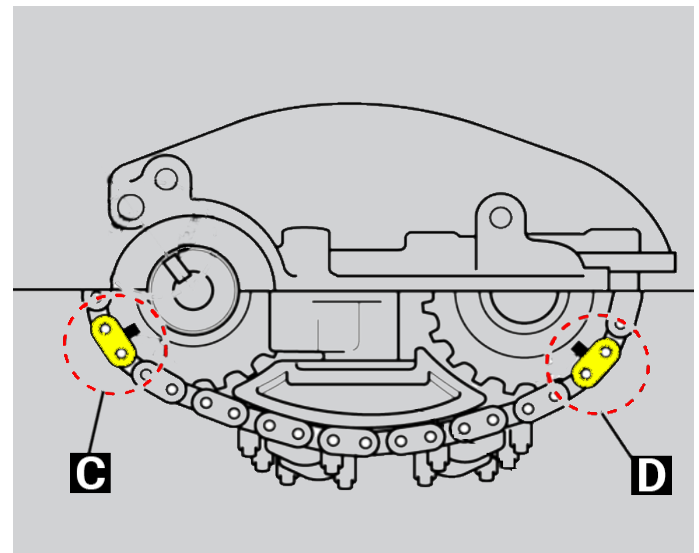
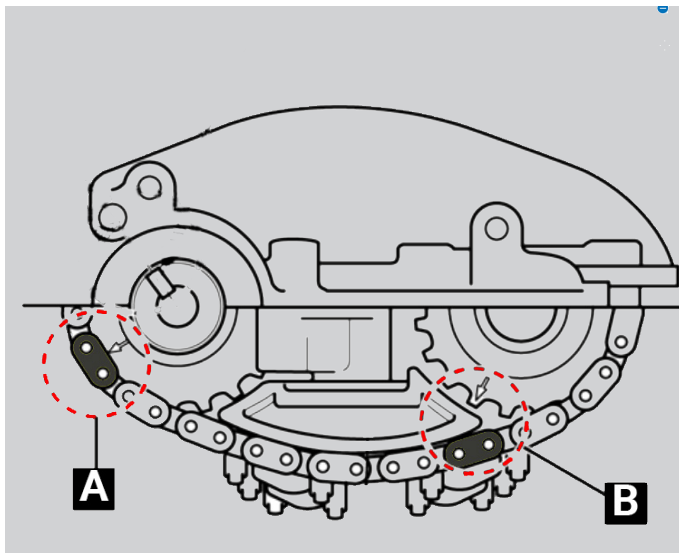
TCK7 Installation tips

Identifying the correct timing marks

Engine Codes: 1.6 HDi 16V (DV6) used by Citroen, Peugeot, Ford, Mazda & Volvo.

Issue: Engines are fitted with one of two types of timing chains depending on the camshaft gears fitted. Camshaft gears are marked with either an arrow or a square symbol and this dictates the positioning of the timing chain.

Solution: FAI has developed a universal chain incorporating both bright and black links to remove the guess work. The graphics below represent the two options and the correct alignment for installation. [Click here to view full application list](#)



Best Availability. Best Value.
Best Quality. Best Service.

LEAF9360



+44 (0) 1525 351800



faiauto.com