

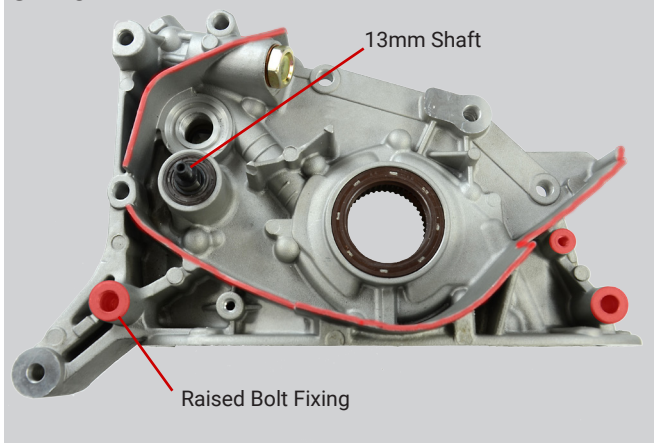
# Technical Bulletin

## Hyundai/Kia/Mitsubishi 2.5 TD Engines

### Choosing the correct oil pump

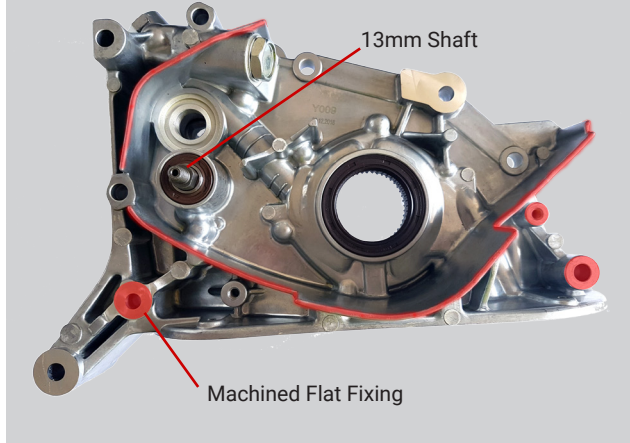
There are **4 different Oil Pumps** for the popular Hyundai/Kia/Mitsubishi 4D56 engine. Choosing the correct pump is vital so the **visual guide below is designed to assist with the identification** of the correct pump for the job. **Click the squares below for full application.**

**OP264**



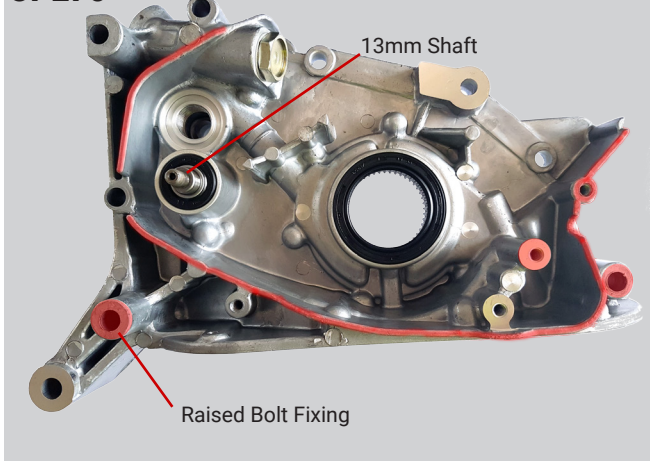
HYUNDAI - 2134042800  
Engines: 4D56T/4D56TD

**OP342**



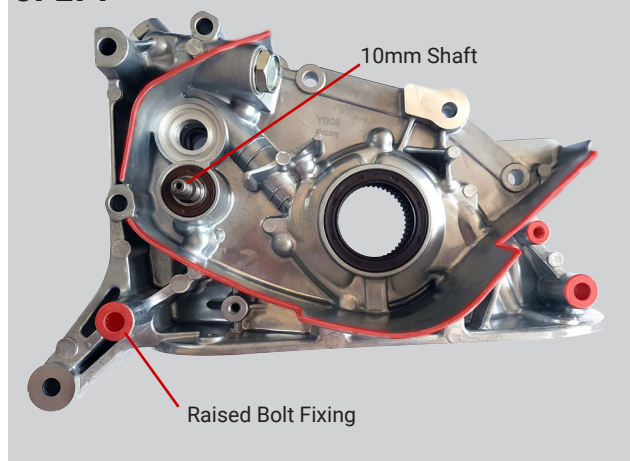
MITSUBISHI - MD181583  
Engines: 4D56T/4D56TD

**OP270**



MITSUBISHI - MD364254  
Engines: 4D56T/D4BA/D4BH

**OP271**



HYUNDAI - 2134042501  
MITSUBISHI - MD181579/MD181581  
Engines: D4BF/D4BA/D4BX/D4BH/4D56T/4D56TD



Best Availability. Best Value.  
Best Quality. Best Service.

LEAF9360



+44 (0) 1525 351800



[faiauto.com](http://faiauto.com)