

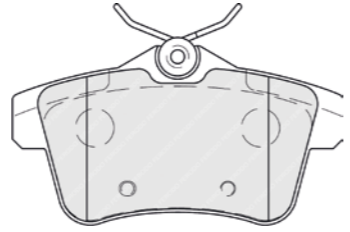
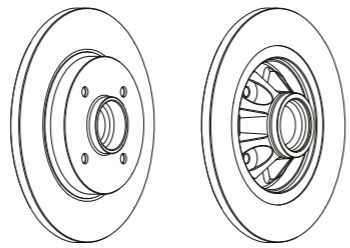
BRAKE FLUID TOPPING UP AND BLEEDING

- Top up brake fluid reservoir to the max. level.
- Use a transparent pipe on brake caliper bleeding screw respecting the following bleeding sequence:
 1. Right hand rear wheel
 2. Left hand rear wheel
 3. Right hand front wheel
 4. Left hand front wheel
- Press brake pedal slowly to pressurise the braking circuit.
- Keep brake pedal pressed.
- Open bleeding screw (brake pedal lowers and system pressure decreases).
- Keep pedal pressed all the way down and close bleeding screw.
- Let pedal move up.
- Wait for 2 seconds to make brake fluid reach brake master cylinder.
- Repeat the operation until brake fluid is clean and with no air bubbles.

BRAKE FLUID	
Product	DOT 4
Capacity	1.0 litre
Maintenance intervals	Replacement and bleeding every 2 years

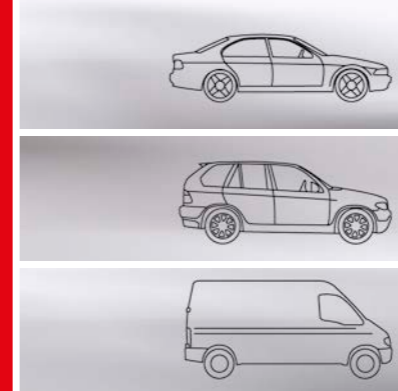
BRAKE FLUID DOT4	
FBX050	500 ml
FBX100	1 lt
FBX500	5 lt
FBX2000	20 lt



FERODO PART NUMBERS	
Brake Pad Length (mm) 103.8 Width (mm) 56.1 Thickness (mm)* 17.2 Thickness min (mm)* 8.00 * Backplate included	FDB4224 
Brake Disc Diameter (mm) 268.00 Thickness (mm) 12.00 Min. thickness (mm) 10.00 Note: with bearing and ABS ring	DDF1735 

REAR BRAKES

CITROËN DS4 (MODEL B7)

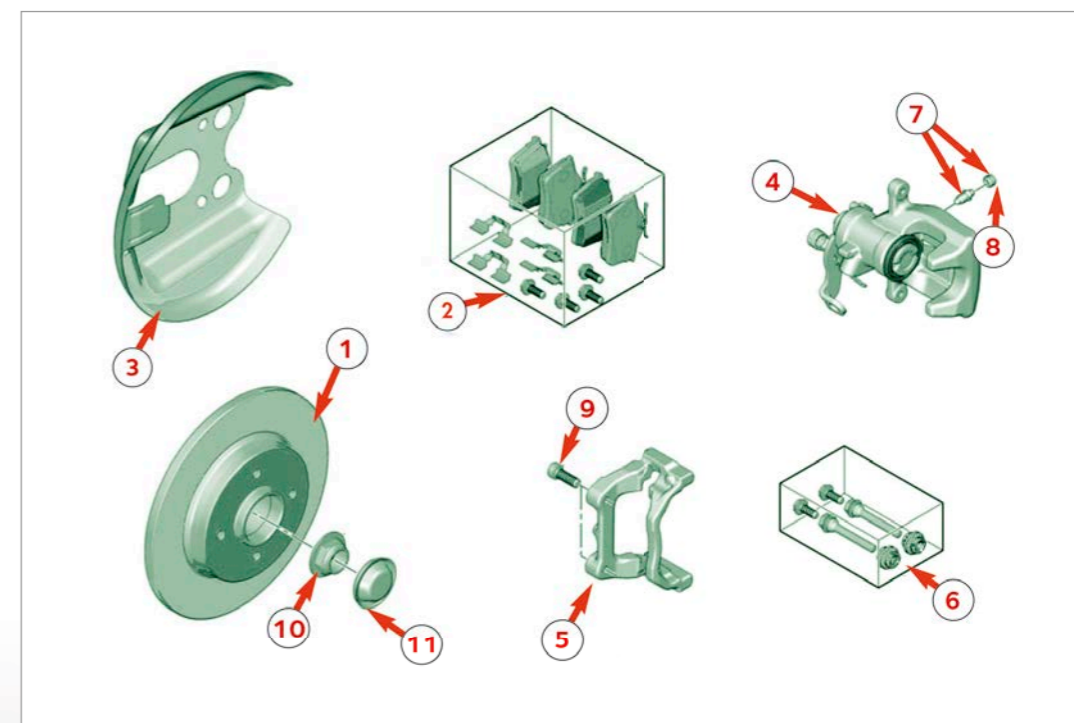


REAR BRAKES

TRW BRAKING SYSTEM WITH ELECTRIC PARKING BRAKE

REAR BRAKE ASSEMBLY

1. Rear brake disc
2. Rear brake pads
3. Disc guard cover
4. Rear brake caliper
5. Brake caliper mounting bracket
6. Brake caliper slide pins
7. Bleeding screw
8. Caliper bleed screw cover
9. Caliper bracket mounting bolts
10. Bearing hub nut
11. Bearing hub cap



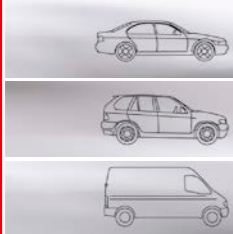
INSTALLATION GUIDE



www.ferodo.com

The Ferodo brand is a registered trademark of FEDERAL-MOGUL MOTORPARTS





BRAKE PADS REMOVAL

WARNING *If brake fluid reservoir is at max. level, remove filter and partially empty it using a clean syringe.*

- Disengage parking brake.
- Disconnect battery negative terminal.
- Position vehicle onto lift.
- Loosen wheel nuts and remove rear wheels.
- Remove parking brake cable terminal (1) from bracket (2).
- Remove parking brake cable terminal (4) from brake caliper (3).
- Remove handbrake cable from caliper body (a).
- Loosen lower screw (5) with a wrench in point (b).
- Turn brake caliper (3) up.
- Remove brake pads (7) and pad abutment shims (6).
- Check brake pad wear evenness to detect any caliper fault.

ASSEMBLY

- Visually check sealing around brake caliper piston and the conditions of protective caps.
- Turn clockwise and press brake caliper piston using a special tool to make it move back.

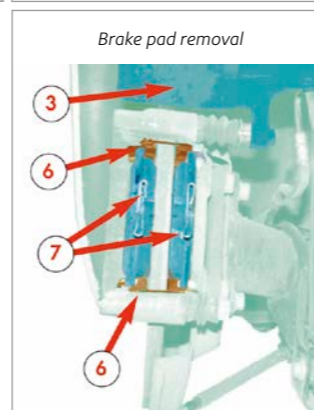
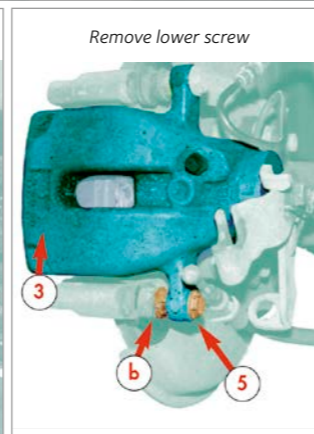
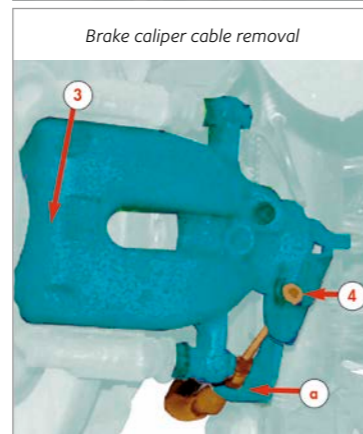
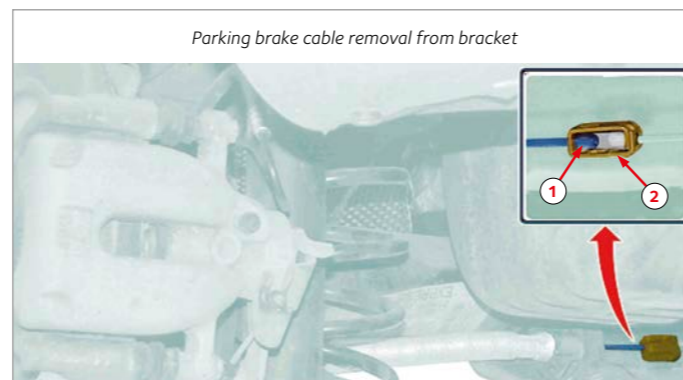
Remark: During this operation, visually check brake fluid inside reservoir to prevent any leakage.

WARNING *When changing brake pads, also change brake pad abutment shims.*

- Fit new pad abutment shims and pads.
- Re-position brake caliper and tighten the (new) fastening bolts to a torque of 35 Nm.
- Refit parking brake cable into original location.
- Fit rear wheels (and re-torque nuts) and remove vehicle from lift.

WARNING *Carry out the operations after battery re-connection.*

- With engine running press brake pedal several times, slowly and progressively until brake pedal feels firm.
- Check brake fluid level and top up, if necessary.
- Adjust parking brake.
- Fill up and bleed braking system, if necessary.



BRAKE DISCS REMOVAL

- Disengage parking brake.
- Disconnect battery negative terminal.
- Position vehicle onto lift.
- Loosen fastening nuts and remove rear wheels.
- Remove brake pads (see dedicated procedure above).
- Remove fastening screw from brake caliper hydraulic pipe fitting.
- Remove bolts from slide pins between brake caliper and caliper mounting bracket.
- Remove the fastening bolts (6) between brake caliper mounting bracket (7) and rear suspension.
- Visually check sealing around brake caliper piston and the conditions of protective caps.
- Turn clockwise to retract the caliper piston into the caliper body using a special tool.
- **Remark:** During this operation, visually check brake fluid inside reservoir to prevent any leakage.
- Tighten brake caliper hydraulic pipe fitting screw to manufactures torque.

ASSEMBLY

- Position brake disc with bearing onto rear bearing spindle and tighten hub/bearing nut to the manufacturer's torque.
- Position caliper mounting bracket onto rear suspension and tighten the mounting bolts to manufactures torque.

ELECTRIC PARKING BRAKE ADJUSTMENT

Remark: Electric parking brake can be adjusted only using a diagnosis tester compatible with that of the manufacturer.

- Layout of parking brake cables.
- Calibrate parking brake (follow all the steps described by the diagnosis tester).
- Read and delete any stored DTC.
- Operate parking brake control and check that rear wheels are safely locked.

WARNING *It is strictly forbidden to open an electric parking brake assembly after sale. If an electric parking brake fault is detected, the whole unit must be replaced.*

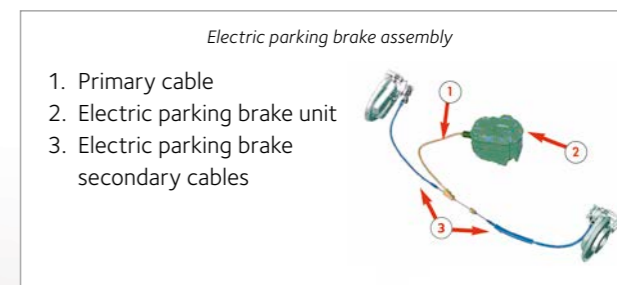


WARNING *When changing brake pads, also change pad abutment shims.*

- Fit new brake pad abutment shims to the caliper bracket.
- Re-position brake caliper and tighten the (new) fastening screw to a torque of 35 Nm.
- Re-attach parking brake cable.
- Fit rear wheels (and re-torque), remove vehicle from lift.

WARNING *Carry out the operations after battery re-connection*

- With engine running press brake pedal several times, slowly and progressively until brake pedal feels firm.
- Check brake fluid level and top up, if necessary.
- Adjust parking brake.
- Fill up and bleed braking system, if necessary.



Remark: In case of total system failure, such as battery fault or electric parking brake fault, system can be manually disengaged using the special tool supplied with the vehicle tool kit.