



## **Ford Focus** **All models from 08.1998 – 04.1999**

### **Water penetration in the front footwell.**

If there are complaints with these vehicles about water penetrating the front footwell, one possible cause is poor sealing between the cowl grille and the windscreen. This affects the area above the interior filter. Water penetrates the poor sealing, gets into the interior filter and then into the vehicle interior. To eliminate the fault, a new cowl grille, which has to be reworked, has to be installed. To do this proceed as follows:

- Remove the old cowl grille.
- Check the interior filter and replace it if necessary.
- Rework the new cowl grille. To do this, shorten the foam block to 55 mm (Fig. 1). Drill an additional water drain hole (Fig. 2) and stick the extra butyl sealing strip to the cowl grille (Fig. 3).
- Install the new cowl grille.

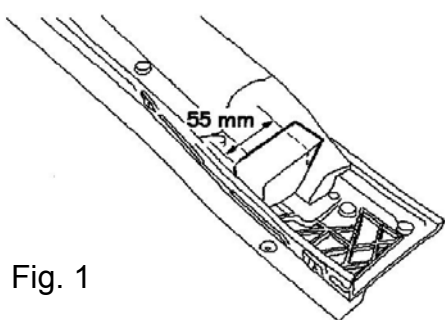


Fig. 1

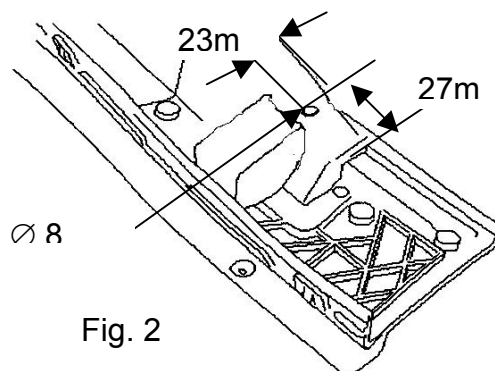


Fig. 2

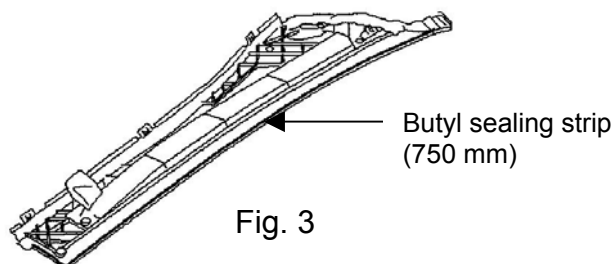


Fig. 3

Bulletin