

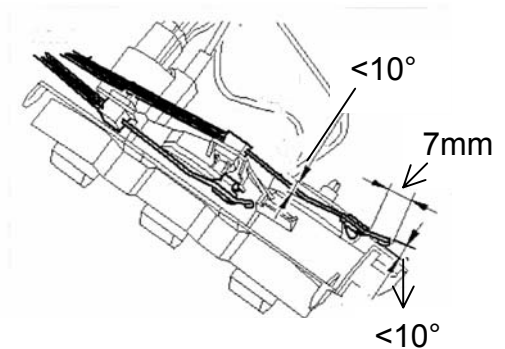


Ford Galaxy up to build year 02/1997

Non-functioning rotary control for the temperature- and/or air flow adjustment.

If the rotary control for the temperature and/or airflow adjustment is not functioning a possible cause could be a loose control wire. To rectify the problem consider the following steps:

1. Remove the radio (radio code necessary)
2. Remove the baffle plate of the radio, cassette compartment and heater control
3. Remove the second baffle plate of the radio and heater control (4 screws). Disconnect the connector of the lighter.
4. Remove the heater control, remove the grip channel (7 screws) and pull it off.
5. Set the rotary control for the temperature and air flow adjustment to max. position.
6. Remove the grip channel from the control unit (attention do not kink the control wire).
7. The free end of the temperature control wire, should hang 7 mm over the clip and be bent to approximately 10°. Also bend the opposite end of the control wire to 10° (see picture).
8. Check the clip for the required holding strength, if necessary compress it. Check also the mounting of the control wire to the control unit.
9. Repeat the steps for the control wire of the air flow adjustment. After that refit the parts in reverse order and enter the radio code.
10. Carry out a functional check



Control unit

Bulletin