



## ***Ford Mondeo model year 2001***

### **Failure or permanent illumination of the stop lamps**

If there are complaints about the above-mentioned faults, a faulty stop light switch could be the cause. Faulty installation or removal of the stop light switch can lead to damage to the switch housing, which in turn can lead to the above-mentioned faults. In these cases proceed as follows:

Stop light illuminates permanently = adjust zero position of the contact pin as far as it will go on the brake pedal (see Fig.1):

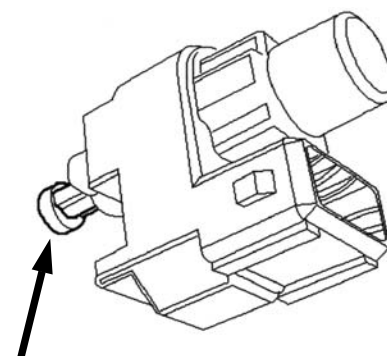


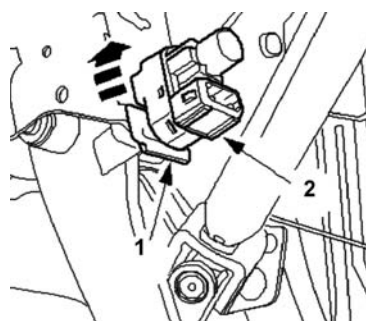
Fig. 1

- Operate the brake pedal by hand.
- Pull the contact pin completely out of the snap-in fitting.
- Release the brake pedal.

Check the function of the stop lamps by operating the brake pedal several times.

Replace the stop light switch:

- Unlock the plug from the stop light switch and disconnect the plug.
- Remove the safety clip **1** and turn the stop light switch **2** clockwise.
- Insert the safety clip again.



Install a new switch and adjust the zero position of the contact pin as far as it will go on the brake pedal:

- Operate the brake pedal by hand.
- Turn the stop light switch anticlockwise.
- Release the brake.
- Put the plug for the switch back on again.