



Rota LED beacon

Product features



Long service life

The lamp has no moving parts, such as a rotating mirror, etc. As a result there is no wear, and the lamp has a maximum of reliability.

Cost saving

LEDs have no maintenance and have a long service life. So there are no additional costs for spare parts or maintenance. Costs of failure or downtime are reduced to a minimum.

Vibration-proof

The lamp and its components are particularly insensitive to vibrations and shocks.

Rugged construction

Flat compact design. The dome is made of polycarbonate, making it extremely resistant to mechanical influences, e.g. impacts (by branches, etc).

Design

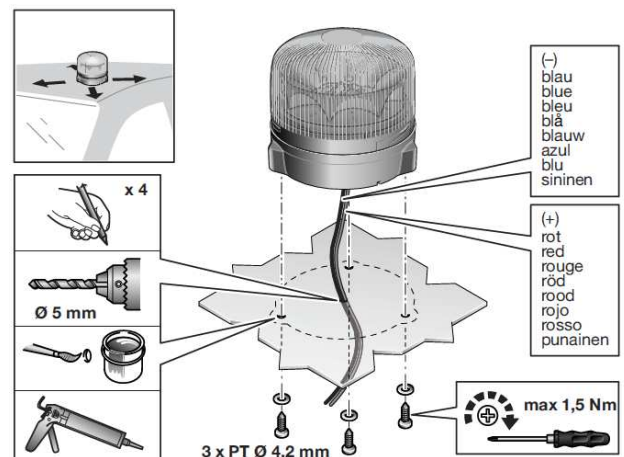
The Rota compact lamp is available in three different versions: fixed, flexible and magnetic.

Approvals:

The Rota compact lamp is approved for GGVS/ADR use.

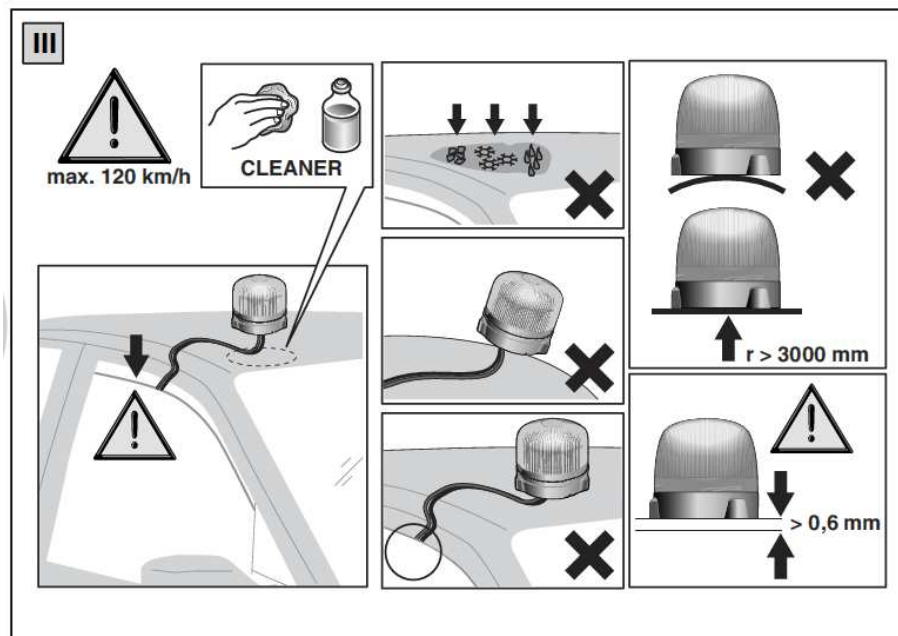
Installation information

During installation of the fixed body variant make sure that the cables passage to the Interior is sealed. This can be done, for example, with a suitable rubber grommet or body sealant.





When using the magnetic variant, a few points should be observed, see Figure



Technical notes

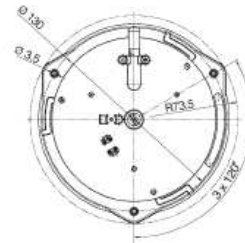
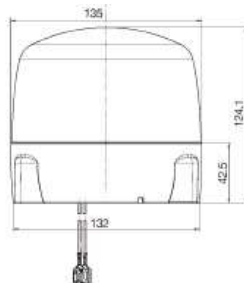
Attention:

The beacon must be protected with a 5A fuse!

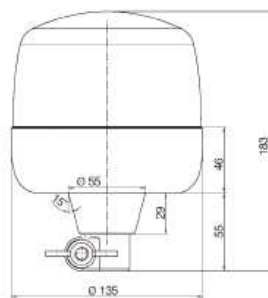
Technical specifications	
Type approval	Format: TA1 E1 003109
Nominal voltage	12V/24V
Operating voltage	9-36V
Total current draw	12 V: approx. 0.7 A 24 V: approx. 0.4 A
Interference suppression class	VDE 00879, interference suppression class 3
Power consumption	12 V: approx. 8W 24 V: approx. 10W
Dome	PC
Usage position	standing
Protection class	IP5KX, IPX4K, IPX9K
Temperature range	-40°C to +60°C
Reverse polarity protection	yes
Body	EPDM
Interference suppression class	e1 approval acc. to 72/245 EEC as amended by 2006/28 EC



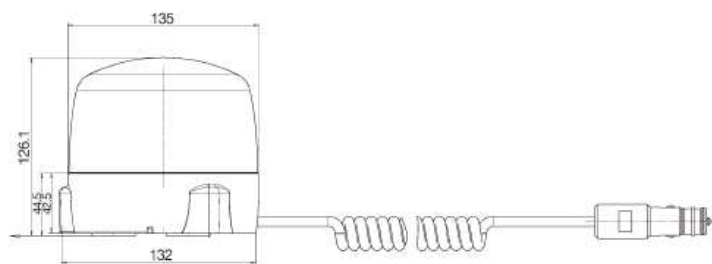
Product overview



Rota LED F
2XD 010 979-001



Rota LED FL
2XD 010 979-011



Rota LED M
2XD 010 979-021