

## F40 and M32 gearbox identification

Part Number: 826955, 836055, 826705, 826777

For Vehicle: Vauxhall/Opel

For some clutch and hydraulic applications the identification of the correct part number is dependent on the gearbox fitted to the vehicle. See below how to identify the gearbox code.

### Engine Z19DT, Z19DTH - F40 manual gearbox

F40 Diagram figure 1 – The engine number is located at the engine/gearbox separating joint.

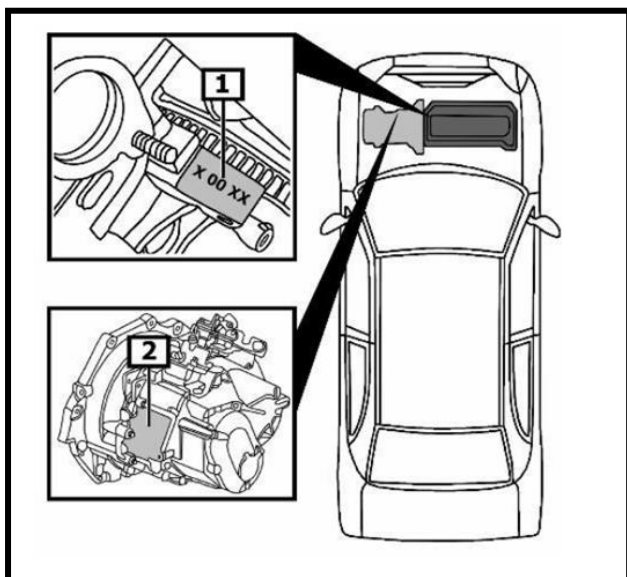
F40 Diagram figure 2 – The gearbox number is located on the front of the gearbox. On some models this can be visible by opening the bonnet of the car and looking down the side of the battery compartment.

### Engine Z19DT, Z19DTH - M32 manual gearbox

M32 Diagram figure 1 – The engine number is located at the front at the engine/gearbox separating joint.

M32 Diagram figure 2 – The gearbox number is located on top of the gearbox. On some models this can be visible on a sticker in the engine compartment and also duplicated on the timing belt cover.

**F40 Gearbox**



**M32 Gearbox**

